

2.4G Paddle Monopole Antenna

FEATURES



- Designed for both Indoor & Outdoor applications
- Ground Plane dependent
- Full 2.4G backward compatibility
- 3.08 dBi Peak Gain
- Small Form Factor



The MyAntenna M02-0600300R0A range of antennas are designed to decrease the lifetime cost of M2M and mobile device installations by offering a robust, effective antenna that is easy to install and lasts the lifetime of the installation without the need for maintenance.

PRODUCTS

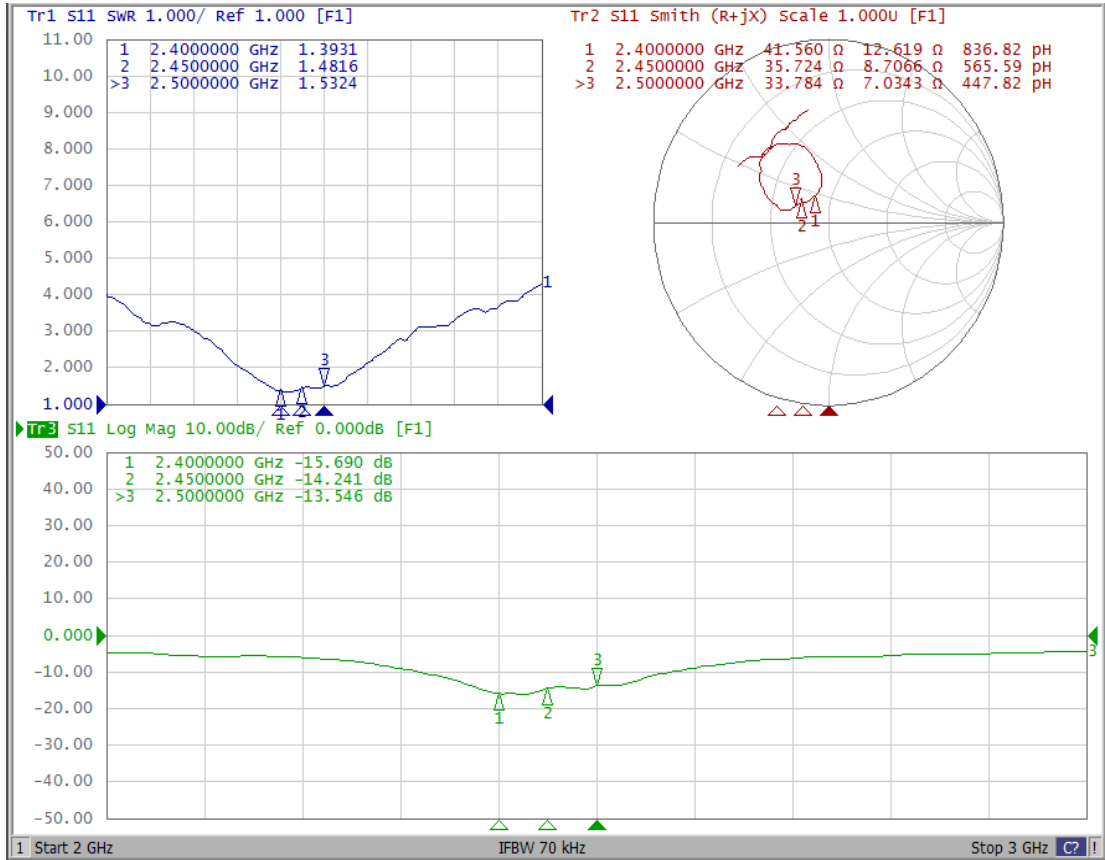
Part No.	Weight	Dimensions (L x W x H)	Connector	Color
M02-0600300R0A	4.2g	Φ10.4*52.3mm	SMA-Male	Black
M02-0600310R0A	4.2g	Φ8.2*50.0mm	SMA-Male	Black

SPECIFICATIONS

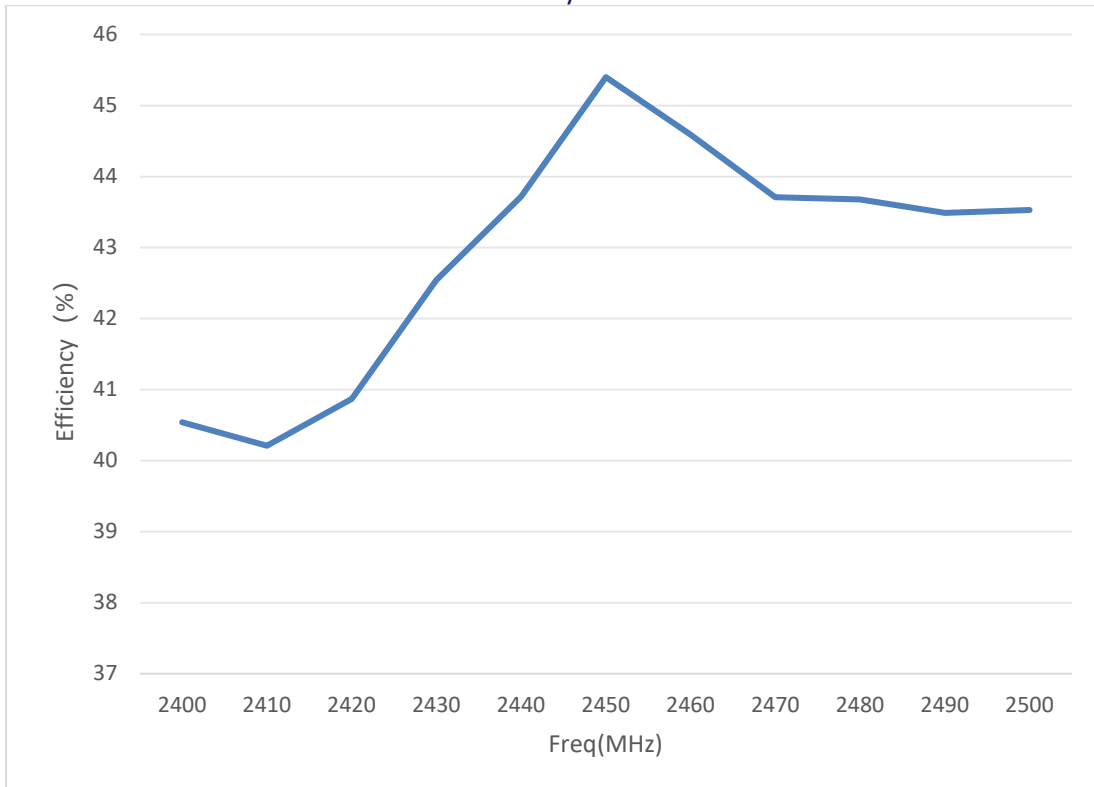
PARAMETER	SPECIFICATION
Frequency Bands, MHz	2400-2500
VSWR (Max)	3.0:1
Peak Gain, dBi (Typ)	Up to 2.76
Nominal Impedance	50 Ω
Max Power (ambient temp of 25°C)	10 Watts
Azimuth Beam Width (deg)	Omnidirectional
Polarization	Linear
Radome	TPE, Black
Storage Temperature Range (°C)	-40° C to +85° C
Operational Temperature Range (°C)	-40° C to +85° C
Material Substance Compliance	RoHS Compliant

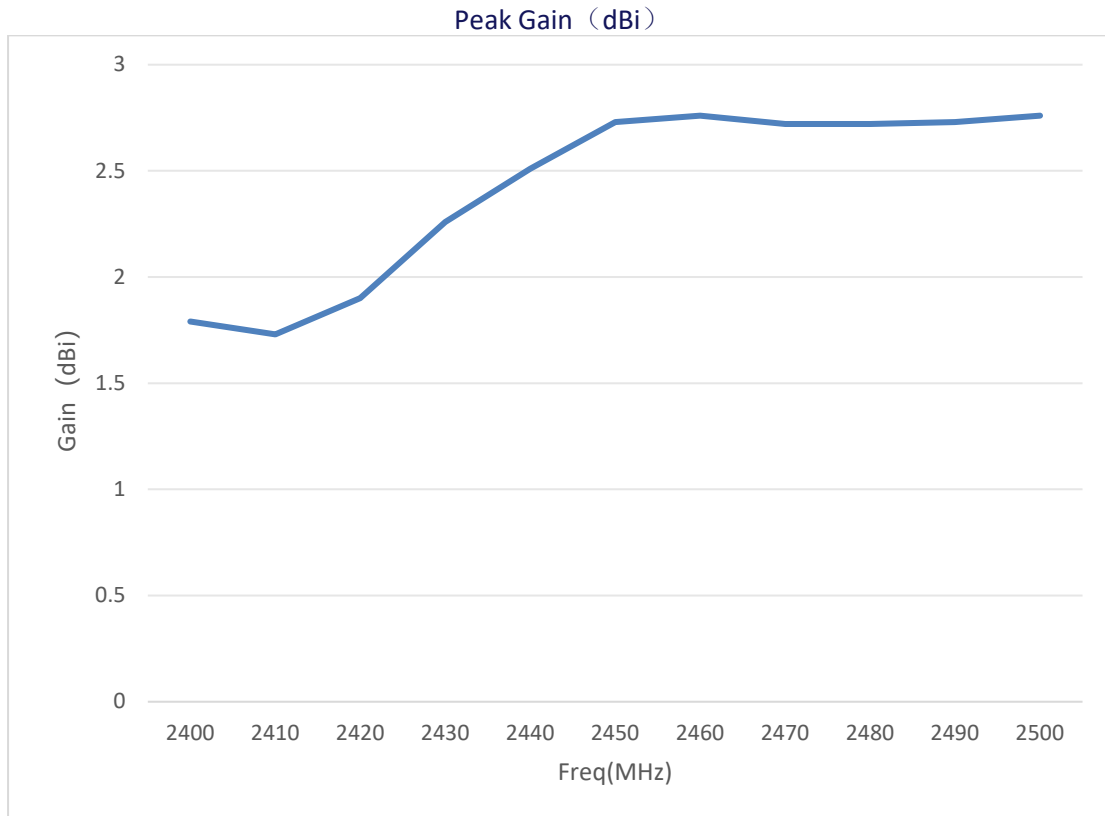
ELECTRICAL DATA

Return Loss



Efficiency (%)

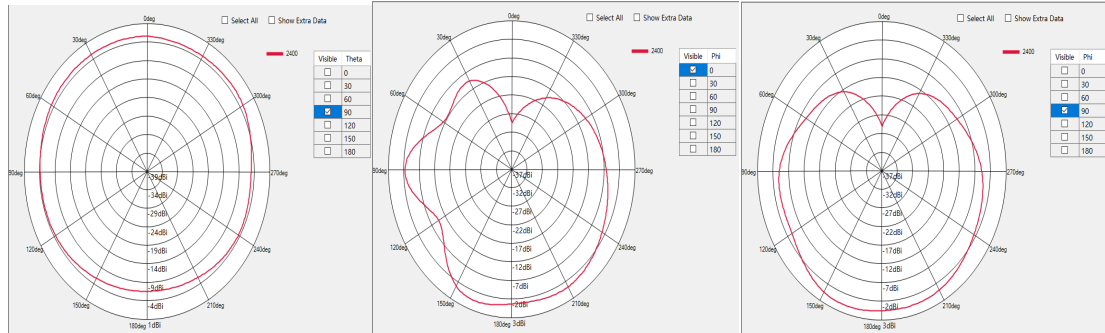




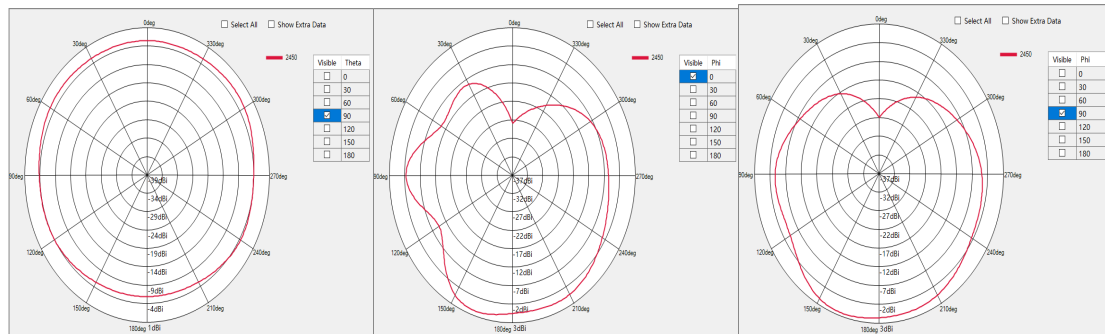
Freq(MHz)	Gain (dBi)	Efficiency (%)
2400	1.79	40.54
2410	1.73	40.21
2420	1.90	40.87
2430	2.26	42.54
2440	2.51	43.72
2450	2.73	45.40
2460	2.76	44.59
2470	2.72	43.71
2480	2.72	43.68
2490	2.73	43.49
2500	2.76	43.53

RADIATION PATTERNS

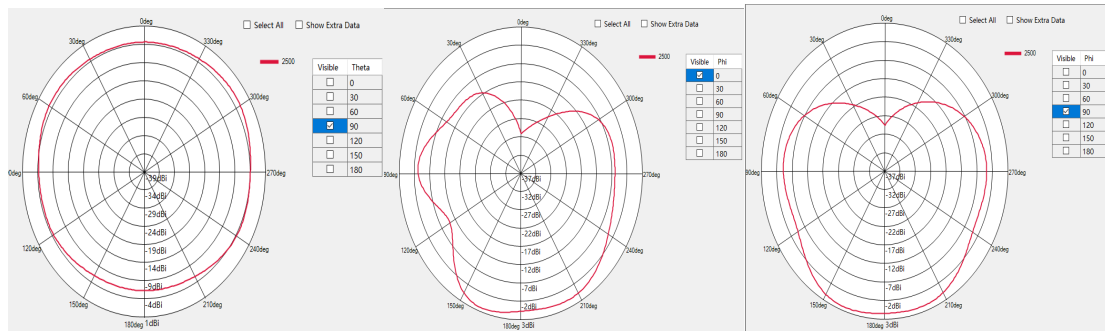
2D Radiation Pattern at 2400MHz Gain=1.79



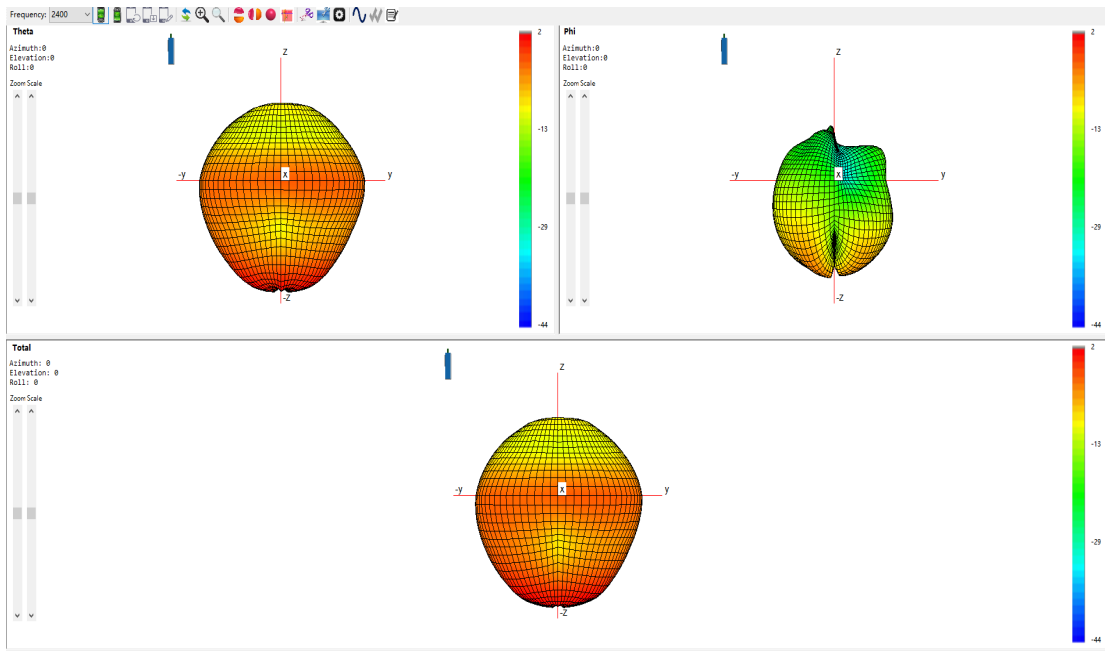
2D Radiation Pattern at 2450MHz Gain=2.73



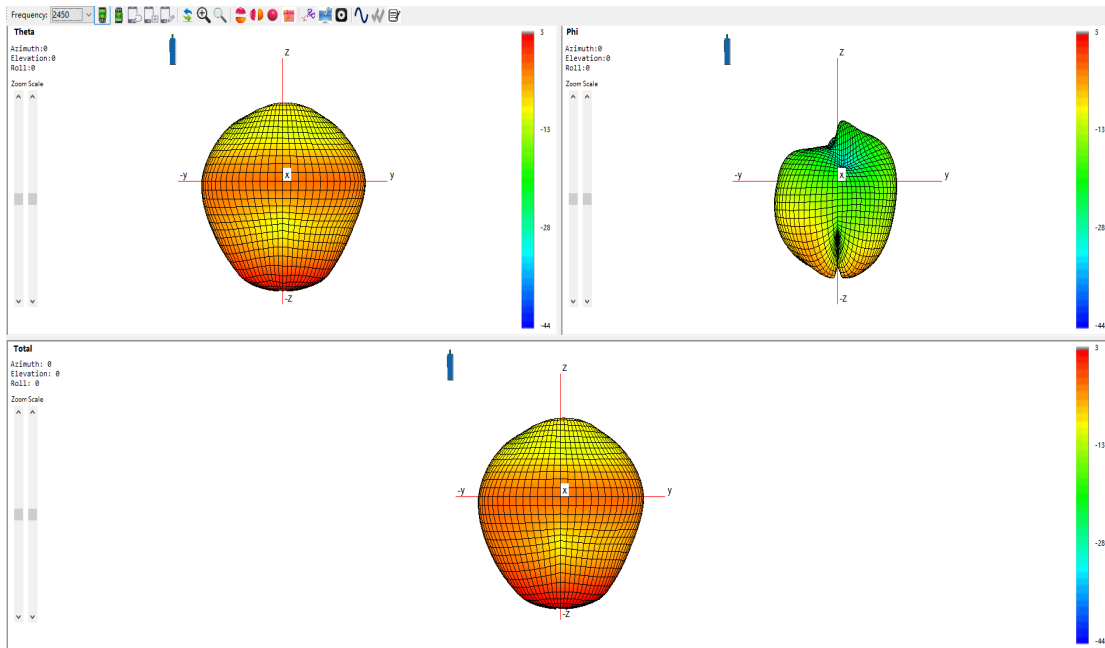
2D Radiation Pattern at 2500MHz Gain=2.76



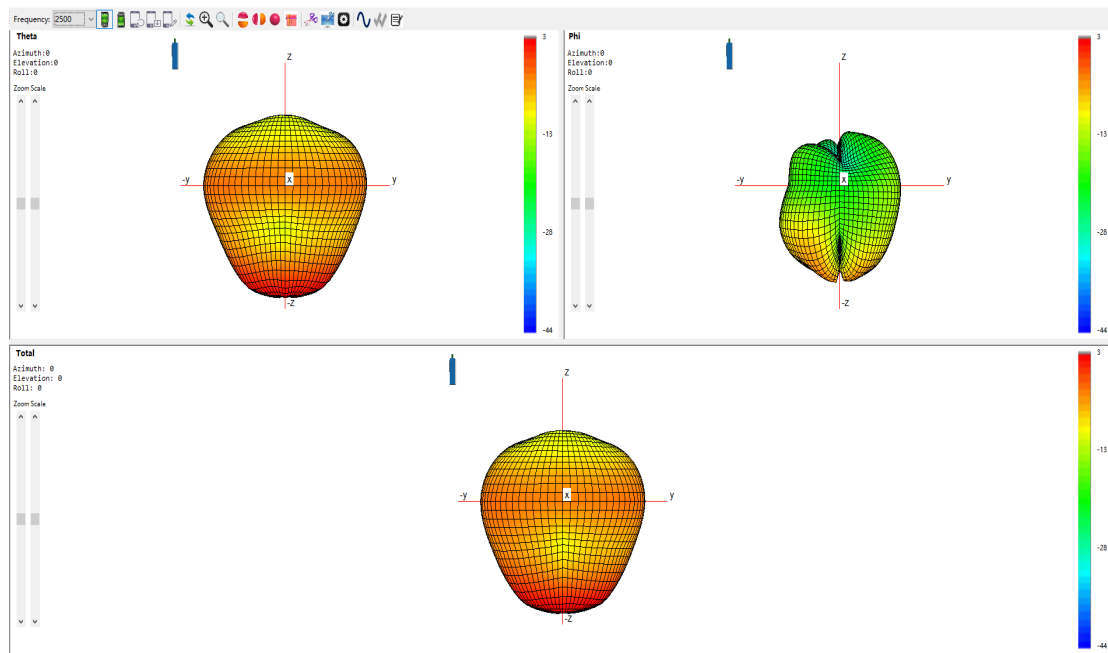
3D Radiation Pattern at 2400MHz Gain=1.79



3D Radiation Pattern at 2450MHz Gain=2.73

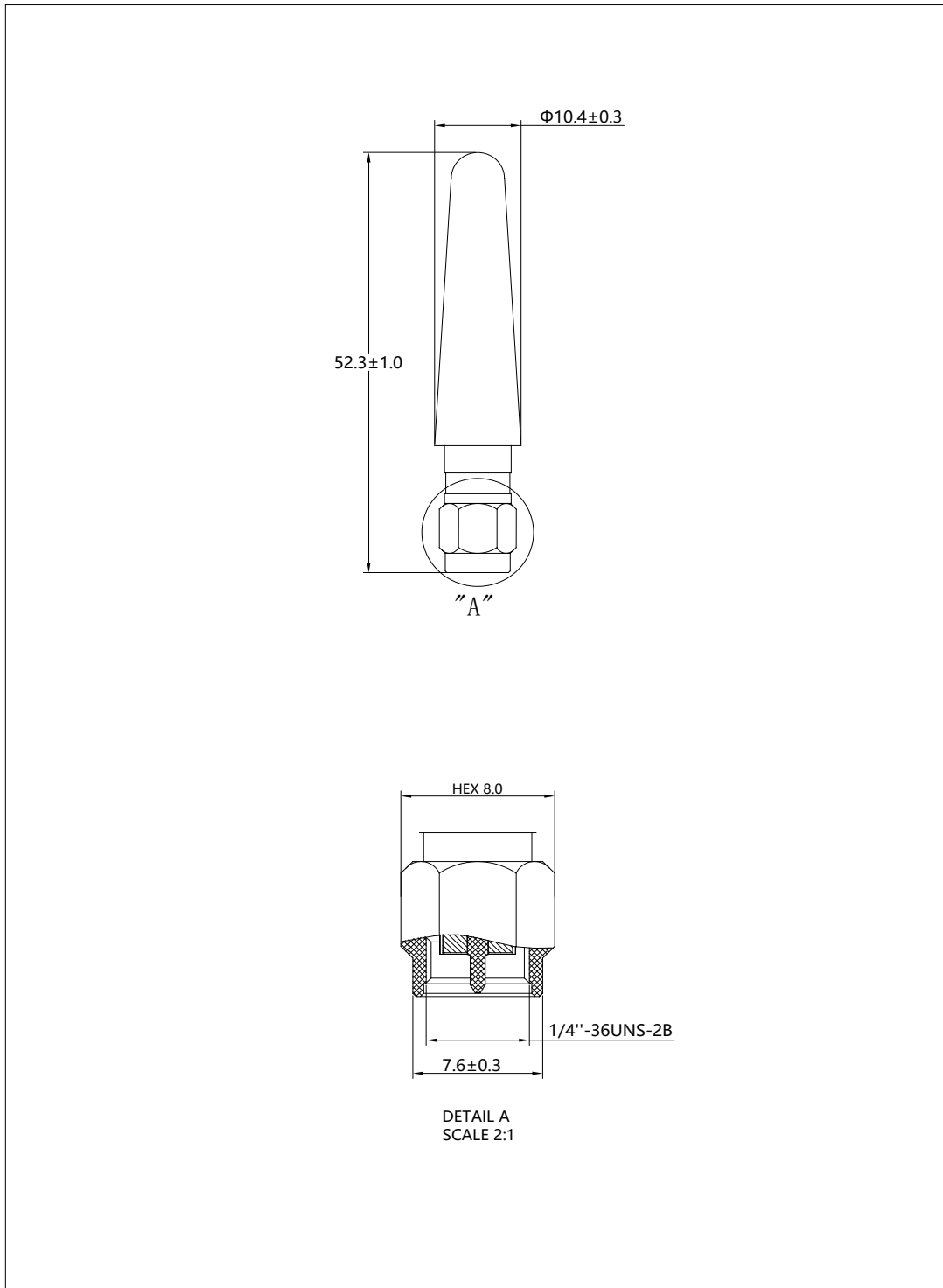


3D Radiation Pattern at 2500MHz Gain=2.76

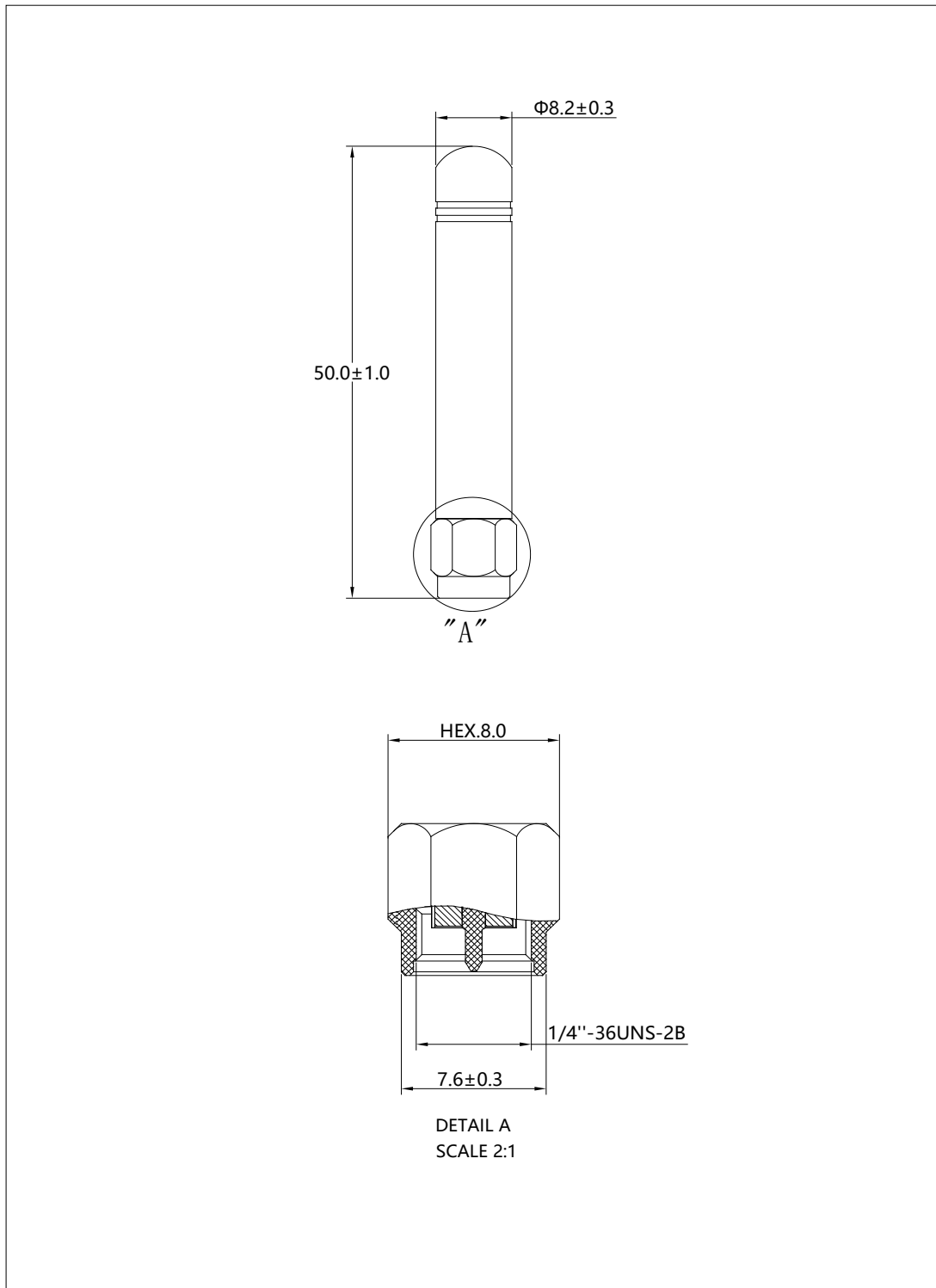


HOUSING CONFIGURATIONS

M02-0600300R0A



M02-0600310R0A



Aboosty™ is owned by Shenzhen MyAntenna RF Technology Co., Ltd. (often abbreviated as MyAntenna).