

# 2.4G&5.8G dual-band Rod Antenna

## FEATURES



- Enhanced hinge structure for vibration environs
- Designed for both Indoor & Outdoor applications
- Dipole Antenna, Ground Plane Independent
- Wide band Antenna
- Full 2400-2500, 5100-5900 MHz backward compatibility
- 4.6 dBi Peak Gain
- Vertically (90°), suitable for compact space multi-antenna installation



The MyAntenna M02-0200100R0A range of antennas are designed to decrease the lifetime cost of M2M and mobile device installations by offering a robust, effective antenna that is easy to install and lasts the lifetime of the installation without the need for maintenance.

The antenna offers ground-plane independent Omni-directional performance Wi-Fi & Bluetooth making it a versatile solution for any number of applications. The efficient element design ensures a high first time connection rate and an ongoing, robust communications link even in problematic coverage areas.

## PRODUCTS

Part No.	Weight	Dimensions (L x W x H)	Connector	Color
M02-0200100R0A	16g	Φ13*195mm	SMA Male	Black

## SPECIFICATIONS

PARAMETER	SPECIFICATION	
Frequency Bands, MHz	2400-2500	5100-5900
VSWR (Max)	3.0:1	3.0:1
Peak Gain, dBi (Typ)	Up to 4.6	
Nominal Impedance	50 Ω	
Max Power (ambient temp of 25°C)	10 Watts	
Azimuth Beam Width (deg)	Omnidirectional	
Polarization	Linear, Omnidirectional	
Radome	PC, Black	
Storage Temperature Range (°C)	-40° C to +85° C	
Operational Temperature Range (°C)	-30° C to +80° C	
Material Substance Compliance	REACH/RoHS Compliant	
HSCODE	8517707090	
USHSCODE	8517620010	
UPC		

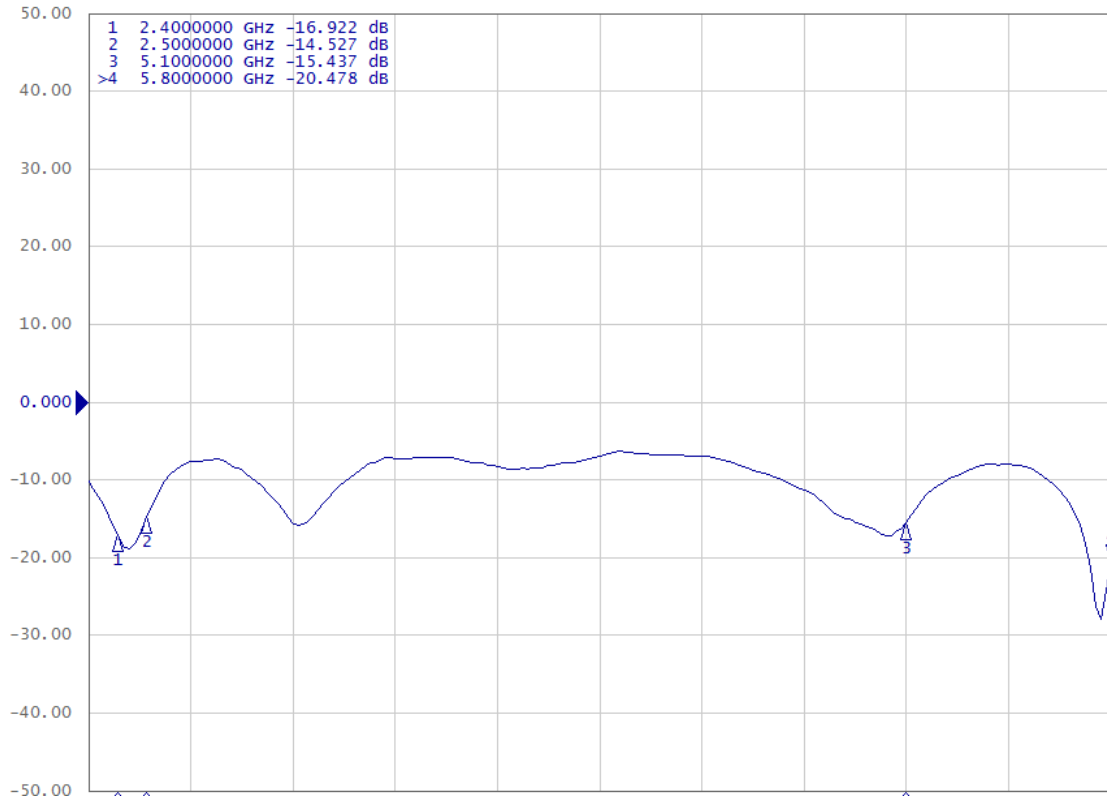
MyAntenna RF Technology Co., Ltd

ADD:Room 410, Building A, Fenghuang Zhigu, No. 50 Tiezi Road, Gongle Community, Xixiang Street, Baoan District, Shenzhen

TEL: +86-0755-86503881 FAX: +86-0755-27801677 E-mail: [nfc@imyantenna.com](mailto:nfc@imyantenna.com)

### ELECTRICAL DATA

Return Loss



Efficiency (%)



MyAntenna RF Technology Co., Ltd

ADD:Room 410, Building A, Fenghuang Zhigu, No. 50 Tiezi Road, Gongle Community, Xixiang Street, Baoan District , Shenzhen,China.

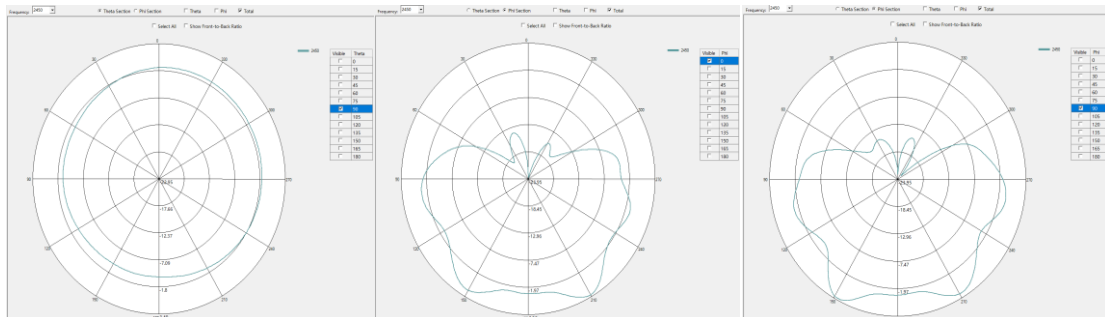
TEL: +86-0755-86503881 FAX: +86-0755-27801677 E-mail: [nfc@myantenna.com](mailto:nfc@myantenna.com)

Peak Gain (dBi)

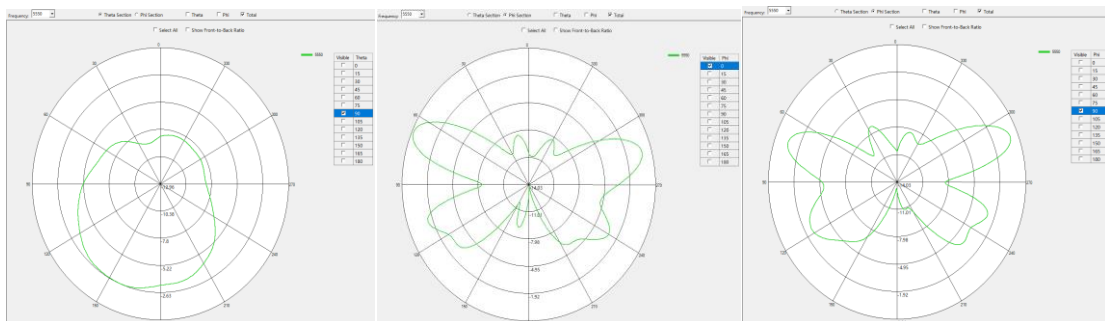


RADIATION PATTERNS

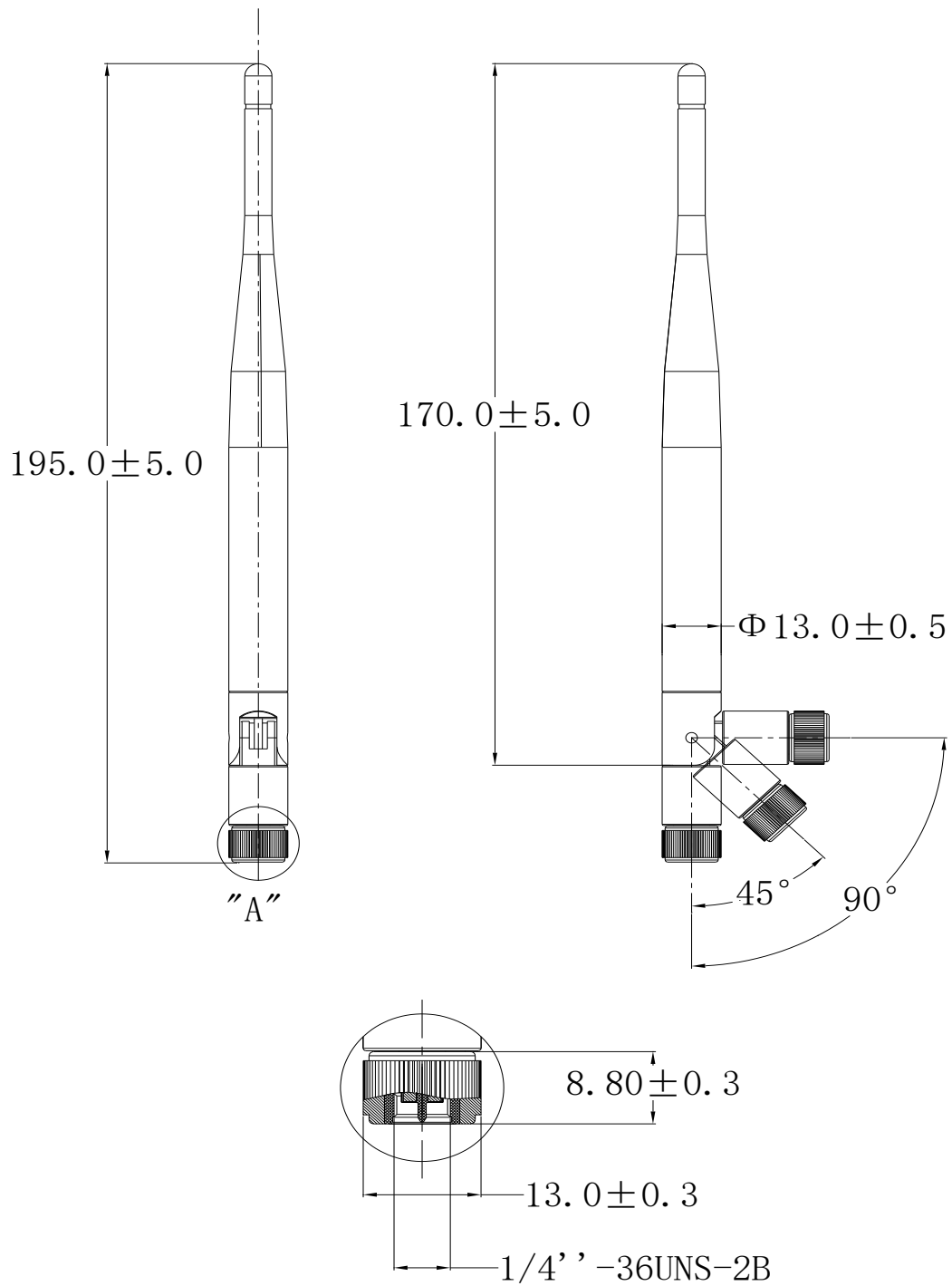
2D Radiation Pattern at 2450MHz



2D Radiation Pattern at 5550MHz



HOUSING CONFIGURATIONS



SMA-Male DETAIL A

SCALE 2:1